

# sirius

*series*



**shademaker**<sup>TM</sup>  
architectural shade

owner's manual

**WARRANTY:**

Upon receipt of your Sirius, please check to ensure you have received all of the Shademaker manufacturers all its shade styles from the finest aluminum alloys to ensure the strength, durability and integrity of each and every style. We pride ourselves as a totally vertical operation. This means that we manufacture and produce over 90% of the components used in our products from the raw state. We can monitor every stage of the manufacturing process and maintain a consistent level of quality.

Our only business and focus is shade and shade type products. Our goal is that each and every Shademaker style will exceed your expectations at a competitive price that will make you smile.

Our Limited Warranty is outlined below by individual styles. Please note, wind damage is not covered under any manufacturer's warranty

Our umbrellas are serviceable, meaning that parts can be ordered under warranty at no charge, if found that the damage is a manufacture defect and/or purchased out of warranty to make them whole again.

**5 Year Limited Warranty** includes the Sirius, Corona and Nova styles. This includes the mast, arms, ribs, center pole, top and bottom hubs and stainless steel hardware only. If there is damage under the warranty, Shademaker will replace and/or repair any item listed in this category at its discretion. The 5 Year Limited Warranty applies to Sunbrella Firesist®, Sunbrella Firesist® PLUS and Sunbrella® Furniture Grade fabrics. Visit [www.sunbrella.com/warranty](http://www.sunbrella.com/warranty) for more details.

**5 Year Limited Warranty** includes the Sunbrella® Awning & Marine Grade Fabric Collection. Visit [www.sunbrella.com/warranty](http://www.sunbrella.com/warranty) for more details. Labor charges are not covered under this limited warranty.

**5 Year Limited Warranty** also applies to O'bravia™ Awning Grade fabrics. Visit [www.obravia.com](http://www.obravia.com) for more details. Labor charges are not covered under this limited warranty.

**1 Year Limited Warranty** covers the powder coat finish on our steel bases. If the powder coat finish flakes, bubbles, peels or loses color; Shademaker will re-finish or replace the defective bases at its discretion. Normal wear and tear is not covered under this limited warranty.

**Exclusions:** Wind damage, acts of nature (such as, but not limited to, freezing or any type of extreme weather.) Failures caused by abusive use and normal wear and tear are not covered under this warranty.

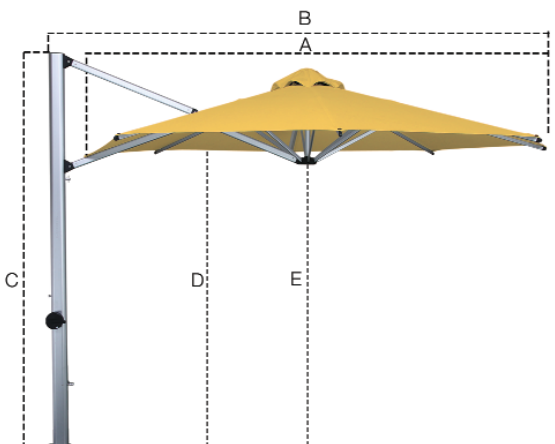
Those filing warranty claims will be responsible for all shipping, handling and freight charges on all claims to Shademaker in Baldwin Park, CA. All warranty claims must be submitted with the original proof of purchase, date of purchase, name of dealer and the description of the damage. An authorized Shademaker RA# must be listed on all products being returned. The Shademaker warranty is not transferable. Shademaker reserves the right to repair, replace and/or redesign any product that is returned under a warranty claim.

**IMPORTANT:**  
Please read this entire manual before installing or operating your Sirius umbrella.

**SIRIUS WIND RESISTANCE GUIDELINES:**  
Light to Moderate Winds (if used with mount kits)

When installed properly, the Sirius is engineered to handle light to moderate wind conditions in the open canopy position. Please adhere to these common sense wind guidelines:

1. If winds are present, the Sirius should be closed.
2. Do not keep the Sirius in a tilt position if you are experiencing windy conditions.
3. As winds get stronger or, in anticipation or uncertain/severe weather conditions, the canopy should be lowered to the folded position and strapped to the mast.
4. The Sirius should always be left in the folded and strapped position when unattended or not in use.
5. In anticipation of, and during extremely severe weather conditions, it is advisable to remove and store the entire Sirius structure to protect it from storm-related debris.



**The sizes & shapes**

SIRIUS	2.7	3.0	3.4	3.8
Shape	Square	Octagon	Octagon	Octagon
A	8'10"	9'9"	11'0"	12'5"
B	9'7"	10'5"	11'6"	12'9"
C	9'2"	8'10"	9'2"	9'2"
D	6'11"	7'1"	7'2"	7'3"
E	6'3"	6'7"	6'10"	6'11"
F	8'6"	8'4"	8'9"	8'10"

Weight: Approximately 74 lbs.  
Mast Shape & Diameter: 2 3/4" x 4 3/8" oval  
Wall Thickness of Mast: 1/8"; Arm Wall Thickness 1/16"

## THE SIRIUS SHADEMAKER SIDEPOST DESIGN

Introduced in 1998, the Sirius is the original Shademaker design. This remarkable technically-refined sidepost rotates 360° and tilts to follow the sun all day. When not in use, the Sirius folds back to the mast in a compact vertical format. The low-maintenance design is ideal for residential pools, patios, decks and gardens.

### Two Shapes



Square



Octagon

### Four Sizes

**Sirius 2.7** 8'10" Square

**Sirius 3.0** 9'9" Octagon

**Sirius 3.4** 11'0" Octagon

**Sirius 3.8** 12'5" Octagon

**Applications:** Primarily residential, or for light commercial settings where an attendant is on site.

**Features & Functionality:** Rotates 360° around the mast, two tilt levels on octagonal sizes (30° & 60°) block early and late day glare, one tilt level on square size (45°) blocks early and late day glare, folds down to mast in a compact vertical format when not in use, unique, fool-proof rotational locking mechanism, state-of-the-art external winding mechanism makes it easy to raise and lower, vented canopy. Canopy fabric is fade, rot and mold resistant; water, oil, and dirt repellent, lightweight, one piece design for seasonal storage and multiple location setup.

**Materials & Components:** Yacht grade, UV resistant 20 micron anodized aluminum mast, arms, and struts; extremely thick sidewalls; marine grade stainless steel hardware; highest grade polyester winder cordage; glass filled black resin moldings and components; gold passivated and powder coated steel internal stem and base plate.

**Wind Resistance:** Handles light to moderate winds, position canopy in horizontal positions; lower canopy as winds increase and when unattended. For windy locations, consider the Orion and Galaxy sidepost designs. (Refer to Sirius wind resistance guidelines, on page 2.)

### Installation Options

- Bolt to base plate (plate bolted to concrete patio or wooden deck)
- Install in ground or build into concrete with in-ground fitting

## ABOUT THE SIRIUS

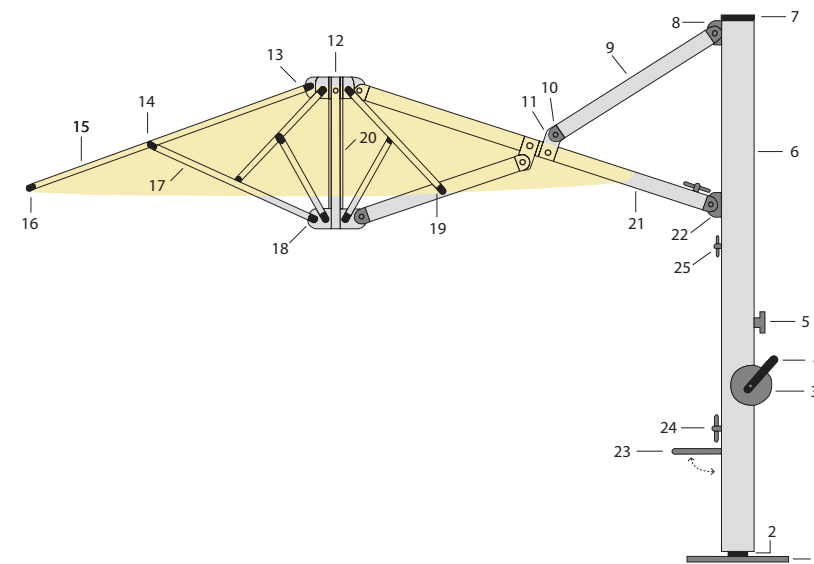
This high quality shade solution combines functionality and design in an elegant way and will provide you with years of enjoyment and satisfaction.

- 1. MARINE GRADE ANODIZED ALUMINUM:** Proprietary extrusions of high tensile alloy ensure long life in exposed conditions.
- 2. GLASS FILLED COMPONENTS:** Proprietary moldings are of the latest development for strength and resistance to UV degradation.
- 3. 100% SOLUTION DYED CANVAS:** Top quality canvas leads the world in color-fastness and quality retention properties. Canopies are fade, rot and mold resistant.
- 4. MARINE GRADE STAINLESS STEEL:** The Sirius is equipped with the latest in marine grade stainless steel hardware.

## ASSEMBLY

The Sirius arrives fully assembled.

## DIAGRAM & LEGEND



- |                      |                        |                              |
|----------------------|------------------------|------------------------------|
| 1. Internal Stem     | 9. Main Support Arm    | 17. Small Support Arm        |
| 2. Acetal Ring       | 10. Barrel Coupler     | 18. Lower Hub & Decal        |
| 3. Crank             | 11. Large Strop        | 19. Canopy Arm (Stabilizers) |
| 4. Crank Handle      | 12. Upper Hub          | 20. Center Tube              |
| 5. Stabilizer Button | 13. Canopy Strap Rivet | 21. Main Canopy Arm          |
| 6. Mast              | 14. Small Strop        | 22. Slider Car               |
| 7. Mast Cap          | 15. Small Canopy Arm   | 23. Turning Handle           |
| 8. Upper End Fitting | 16. Small End Cap      | 24. Rotational Locking Pin   |
|                      |                        | 25. Slider Car Stop Pin      |

## COMPONENTS, FITTING & HARDWARE

- 1. INTERNAL STEM:** The Sirius mast slides directly over the internal stem as a sleeve. The plate of the internal stem is 9" in diameter and 3/8" thick. The internal stem is 19" in height and has 12 holes on the top which allow the Sirius to be rotated 360° around the mast.
- 2. BASE PLATE:** The 9" diameter, 1/2" base plate is bolted to an existing concrete slab or to a wooden deck. The internal stem then bolts to the top of the base plate.
- 3. STEM BOLTS:** Four (4) countersunk stem bolts are used to bolt the internal stem to the base plate or to the top of the In-ground fitting. Stem bolts are 3/4" in length.
- 4. MAST OVER INTERNAL STEM:** This photo shows how the mast looks when it is installed onto the internal stem. The internal stem is bolted either to a base plate or the plate of the In-ground fitting.
- 5. LOCATOR PIN:** When the locator pin is inserted through the mast and internal stem, it locks the mast into place.
- 6. CRANK:** The crank facilitates the opening and closing of the Sirius canopy structure.
- 7. SPACER BUTTONS:** Four (4) spacer buttons are inserted into predrilled holes on the four arms closest to the mast. Spacer buttons must be left inserted at all times as they ensure the Sirius canopy structure opens easily by not allowing the arms to get locked down.



## INSTALLATION OPTIONS & GUIDELINES

To ensure longevity, correct installation is essential. There are three standard installation options which provide the best stability for the Sirius. Depending on your situation, you will have requested one or more of the Sirius Mounting Kits at the time of your order. Either the Concrete Mount Kit, the In-Ground Fitting Mount Kit, or the Wooden Deck Mount Kit.

**FREE STANDING BASE OPTION:** If it is not feasible to mount your Sirius to a concrete patio, wooden deck or in ground, you may have purchased, or need to purchase, an optional free standing base. The free standing base may ONLY be used with the properly weight base (verify with your dealer). This base is an acceptable alternative, but will not offer the same level of stability as the three standard options. We DO NOT recommend the use of a free standing base for the Sirius 3.8 (12'5" Octagon). If using a free standing base, the wind guidelines change from light to moderate wind to light winds only.

### INSTALLATION INSTRUCTIONS FOR BASE PLATE OR IN-GROUND FITTING

To ensure proper installation, please carefully read these instructions before installing your base plate or in-ground fitting.

#### PROPER ALIGNMENT OF THE SIRIUS

If the exact position of the Sirius canopy (when in the open position) is important to you, it is imperative that the installation fitting (base plate or in-ground fitting) is properly aligned. Please read the instructions below to ensure that your canopy will hang in the desired position.

**BASE PLATE:** The base plate has four (4) countersunk holes and four (4) tapped holes. The tapped hole bolt pattern on the base plate must be lined up square to whatever you are aligning your Sirius with (i.e., the side of your house, the edge of your patio, etc.). See **Diagram A** below. The countersunk holes on the Internal stem will then match the tapped holes on the base plate and the Sirius canopy will hang in the desired position (primary mast & canopy position). If the base plate is not aligned properly, you will not achieve your intended primary mast & canopy position.

**IN-GROUND FITTING:** The in-ground fitting has four (4) tapped holes. The tapped hole bolt pattern on the in-ground fitting must be lined up square to whatever you are aligning your Sirius with (ie, the side of your house, the edge of your patio, etc.). See **Diagram B** below. The countersunk holes on the Internal stem will then match the tapped holes on the in-ground fitting and the Sirius canopy will hang in the desired position.

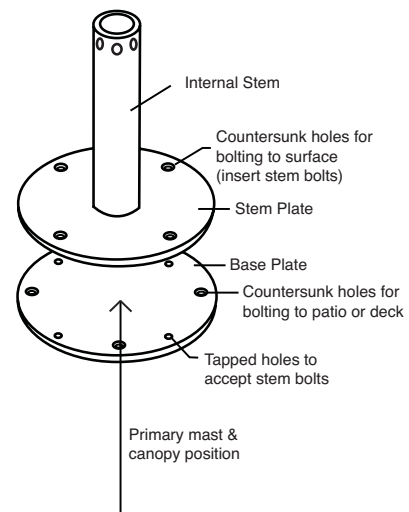


Diagram A – Base Plate Alignment

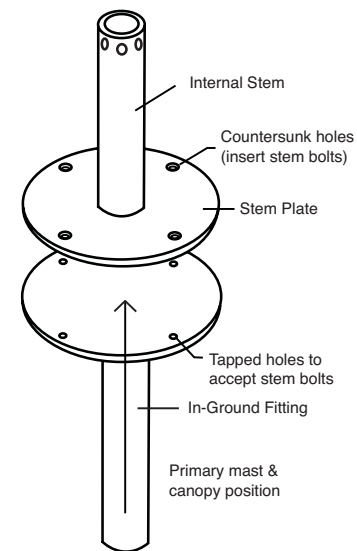


Diagram B – In-Ground Fitting Alignment

## OPERATING INSTRUCTIONS

By now, you have installed your base plate(s) or in-ground fitting, bolted your Internal stem to the base plate or in-ground fitting, and have followed the early instructions to slide the mast over the newly mounted internal stem. The mast should be seated on the Acetal ring and the locator pin should be inserted through the mast and internal stem.

If the mast is properly seated and the locator pin properly inserted, the Sirius will not rotate or lift. You are now ready to operate your Sirius.

### OCTAGON SIRIUS:

If you own an octagon Sirius (3.0, 3.4, or 3.8), your Sirius has three positions:

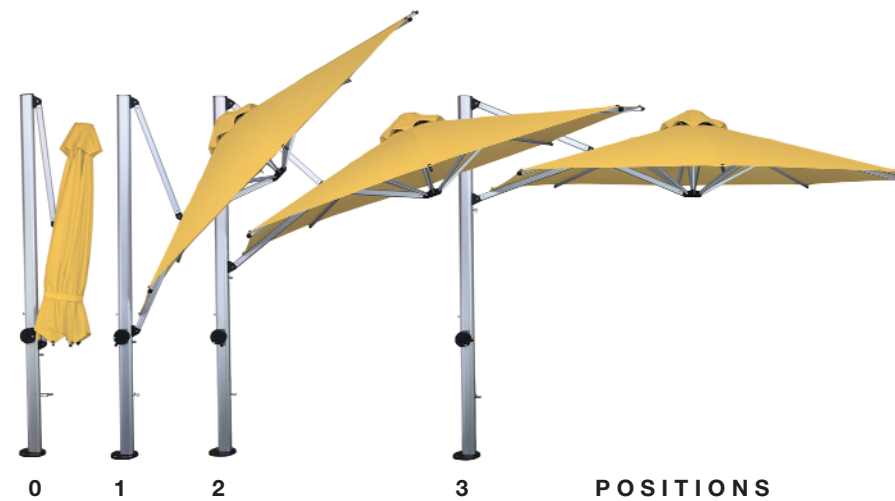
- (1) Tilt position 1
- (2) Tilt position 2
- (3) Horizontal position

### SQUARE SIRIUS:

If you own a Sirius 2.7 square, your Sirius has two positions:

- (1) Tilt position 1
- (2) Horizontal position

NOTE: Tilt position 2 is lower on a square than Tilt position 2 on an octagon as shown below.



#### Positions

- 0** Closed position
- 1** Tilt position 1 – blocks extremely angular sun (Octagon Sirius only)
- 2** Tilt position 2 – blocks moderately angular sun
- 3** Horizontal position

NOTE – DO NOT USE the tilt positions in windy conditions.



## **TO OPEN THE SIRIUS CANOPY**

The following instructions will walk you through the sequential progression of opening the Sirius canopy structure as shown in the diagram on the previous page. At any time, you may skip a position and open to the desired position.

### **OPEN TO THE FIRST POSITION**

1. Remove the strap that holds the Sirius to the mast when in the closed position.  
Take note of the "parachute" folding method used to fold the canopy when closed.  
See TO PROPERLY FOLD THE SIRIUS CANOPY section for more details.
2. Make sure your slider car stop pin is in the ready or horizontal position.
3. Begin turning the winder clockwise until the slider car stop pin auto locates into the lowest predetermined hole. Continue winding until the canopy is taut. The canopy will now be in Tilt position 1 and Tilt position 2 for a square.
4. The locking lever locks automatically when you stop winding.

### **CAUTION: NEVER FORCE THE ARMS OPEN IF YOU FEEL RESISTANCE IN THE WINDER!**

If you feel resistance in the winder, you should manually pull out a few arms to help facilitate winding. Once the canopy is open, look up into the arms to confirm that all four (4) spacer buttons are inserted. You should be able to locate four small white plastic circular "buttons", one in each of the four (4) arms closest to the mast. If you do not see all four spacer buttons in place, contact Shademaker immediately. Until you have received new spacer buttons and have all four installed, continue to manually pull out a few arms with each opening to facilitate winding open the canopy. The Sirius warranty does not cover repairs resulting from not having four spacer buttons inserted at all times.

### **OPEN TO THE SECOND POSITION**

1. Open the winder handle and turn clockwise slightly. With right hand, lift locking lever and the winder. Now turn the winder handle counter-clockwise for a few revolutions to release the pressure.
2. With your slider car stop pin again in the ready or horizontal position, quickly pull out the pin (making sure it stays in the horizontal position), and let it slide up the slider car on its own until the pin auto locates in the next predetermined hole. It may be necessary to turn the winder a few times until the pin auto locates. Once the pin is located in the hole, continue winding until the canopy is taut. The canopy will now be in Tilt position 2 for octagonal Sirius and the horizontal position for square Sirius.
3. The locking lever locks automatically when you stop winding.

### **OPEN TO THE THIRD POSITION**

1. For the octagon Sirius only, repeat steps 1-3 outlined above.
2. The octagon canopy will now be in the Horizontal position.

**HELPFUL HINT:** At any time, you may skip a position and open to the desired position by turning the slider car stop pin parallel with the mast. In this position, the pin will NOT auto locate as it passes over the predetermined holes. If you choose to pass the tilt position(s) and go directly to the horizontal canopy position, you may move the pin into the parallel position and continue winding, but be sure to turn the pin back to the horizontal position before the horizontal canopy position is attained. If you pass the top hole, take the tension out of the canopy and then pull the slider car stop pin down and into the top hole.

#### **TO SET THE CHILD SAFETY LOCK BUTTON**

In any of the positions, the child safety lock button can be set by pushing the button in and turning it 90 degrees clockwise. **PLEASE NOTE:** It is not necessary to use the child safety lock button, however, it is recommended particularly when children are present.

#### **TO ROTATE THE SIRIUS LATERALLY THROUGH 360° / 12 POSITIONS**

There are 12 holes at the top of the internal stem.

1. Pull out the locator pin above the turning handle.
2. Raise the turning handle and rotate mast to a new position.
3. Push locator pin back in and turn it to lock it into any one of the 12 positions.

#### **TO LOWER THE SIRIUS CANOPY**

1. If the child safety lock is in use, turn it 90° counter-clockwise until the button pops out.
2. Open winder handle and turn clockwise slightly. With right hand, lift locking lever on winder. Now turn the winder handle counter-clockwise for several revolutions until all pressure is released.
3. While holding the locking lever up, reach up and pull slider car stop pin out of hole. Continue to hold the locking lever up while pulling down on the slider care stop pin or the main canopy arm until the canopy is pulled up tight against the mast.
4. Strap the canopy to the mast with the strap.

### **TO PROPERLY FOLD THE SIRIUS CANOPY**

The 100% solution dyed acrylic canopy will last longer if you fold it as it was packed and shipped. This technique is similar to the way a parachute is folded and is especially important when folding the Sirius canopy for seasonal storage or when the SIRIUS is to be left in the closed position for an extended period of time.

Using this technique at all times will significantly extend the life of the canopy.

1. When the canopy has been fully lowered, stand in front of the canopy structure and begin the folding process by pulling out two panels opposite the mast. Pull the two panels together and roll tight into the canopy.
2. Once rolled tight, pull adjacent panels out one at a time and fold to the center, alternating sides until all the panels have been pulled out from the arms and folded into the center.
3. Strap the canopy to the mast with the strap.

### **MAINTAINING THE SIRIUS FRAME & FITTINGS**

1. Hose mast and frame with water periodically, more often if installation is in a salty or industrial environment.
2. Inspect the installation fitting on a regular basis and tighten if necessary.
3. Lubricate the track and slider car mechanism as needed to enhance the ease of operation.

### **MAINTAINING THE SIRIUS CANOPY FABRIC**

1. Clean up spills and stains right away. Spills can be removed by using a clean, absorbent cloth.
2. For general maintenance, use a soft brush to remove dust and dry soil or wash down with clean, warm water (i.e. garden hose) every so often so dirt does not become engrained. Allow the fabric to dry naturally before closing the canopy.
3. If a thorough cleaning is necessary, sponge over the fabric using a mild soap solution (2% solution). Rinse well with plenty of water to remove all soap residue.
4. Never use detergents, cleaning fluids, or solvents. Grease and oil stains may be removed by using turpentine or similar with an absorbent cloth.
5. We recommend giving the canopy a good clean on a more frequent basis if installed in a location where the canopy is likely to become soiled.

### **REMOVAL & REPLACEMENT OF THE SIRIUS CANOPY**

Follow these instructions should you choose to replace your canopy with a new canopy.

1. Lower the canopy to the closed position.
2. Unsnap the canopy vent cap.
3. Drill out the canopy strap rivets or take out the canopy screws from webbing at top of arms. (Depending on your model, your SIRIUS will have rivets or screws, not both.)
4. Remove the button/screw at the end of each arm.
5. Separate the Velcro strap along the main canopy arm and remove the canopy from the structure.
6. To replace the canopy, reverse the above process.

**OTHER SHADEMAKER STYLES AVAILABLE**

**Side Posts**



**Orion**



**Galaxy**

**Center Posts**



**Astral**



**Corona**

**Top Mount**



**Nova**

**shademaker**<sup>™</sup>

13401 Brooks Drive  
Baldwin Park, CA 91706  
p 626.338.8810  
f 626.338.8816  
info@shademakerusa.com

**shademakerusa.com**

© 2010 Shademaker. All rights reserved.

SMOM-SIRIUS-810