

orion

series



shademakerTM
architectural shade

owner's manual

WARRANTY:

Upon receipt of your Orion, please check to ensure you have received all of the Shademaker manufacturers all its shade styles from the finest aluminum alloys to ensure the strength, durability and integrity of each and every style. We pride ourselves as a totally vertical operation. This means that we manufacture and produce over 90% of the components used in our products from the raw state. We can monitor every stage of the manufacturing process and maintain a consistent level of quality.

Our only business and focus is shade and shade type products. Our goal is that each and every Shademaker style will exceed your expectations at a competitive price that will make you smile.

Our Limited Warranty is outlined below by individual styles. Please note, wind damage is not covered under any manufacturer's warranty

Our umbrellas are serviceable, meaning that parts can be ordered under warranty at no charge, if found that the damage is a manufacture defect and/or purchased out of warranty to make them whole again.

10 Year Limited Warranty includes the Galaxy, Orion and Astral styles. This includes the mast, boom, head fitting, elbow, center pole, top and bottom hubs and stainless steel hardware only. If there is damage under the warranty, Shademaker will replace and/or repair any item listed in this category at its discretion.

5 Year Limited Warranty includes the Sunbrella® Awning & Marine Grade Fabric Collection. Visit www.sunbrella.com/warranty for more details. Labor charges are not covered under this limited warranty.

5 Year Limited Warranty also applies to O'bravia™ Awning Grade fabrics. Visit www.obravia.com for more details. Labor charges are not covered under this limited warranty.

1 Year Limited Warranty covers the powder coat finish on our steel bases. If the powder coat finish flakes, bubbles, peels or loses color; Shademaker will re-finish or replace the defective bases at its discretion. Normal wear and tear is not covered under this limited warranty.

Exclusions: Wind damage, acts of nature (such as, but not limited to, freezing or any type of extreme weather.) Failures caused by abusive use and normal wear and tear are not covered under this warranty.

Those filing warranty claims will be responsible for all shipping, handling and freight charges on all claims to Shademaker in Baldwin Park, CA. All warranty claims must be submitted with the original proof of purchase, date of purchase, name of dealer and the description of the damage. An authorized Shademaker RA# must be listed on all products being returned. The Shademaker warranty is not transferable. Shademaker reserves the right to repair, replace and/or redesign any product that is returned under a warranty claim.

IMPORTANT:

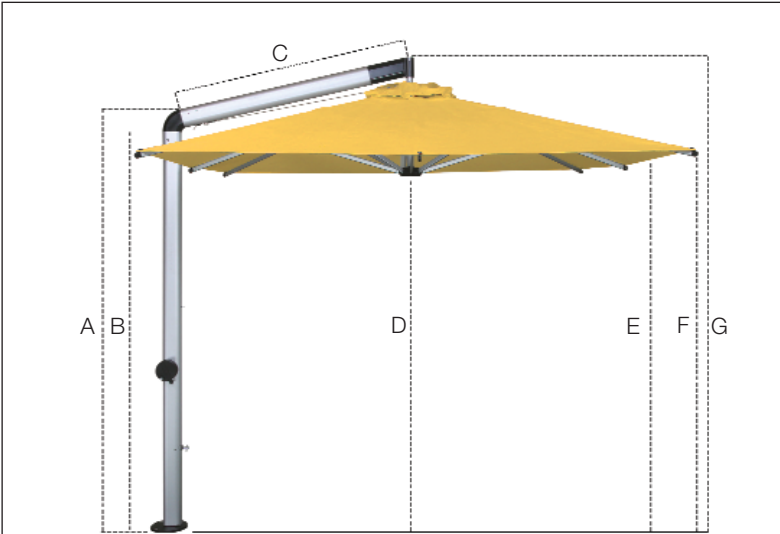
Please read this entire manual before installing or operating your Orion umbrella.

ORION WIND RESISTANCE GUIDELINES:

Moderate to Moderately Strong Winds

When installed properly, the Orion is engineered to handle moderate to moderately strong wind conditions in the open canopy position. Please adhere to these common sense wind guidelines:

1. The Orion should always be left in the folded and strapped position when unattended or not in use.
2. If unattended for an extended period of time, the Orion should be left in the folded and strapped position.
3. In anticipation of, and during extremely severe weather conditions, it is advisable to remove and store the entire Orion structure to protect it from storm-related debris.



Sizes and Shapes

ORION Shape	2.5 Square	3.0 Square	3.0 Octagon	3.5 Octagon	4.0 Octagon
A	7'11"	8'3"	7'8"	7'11"	8'3"
B	7'7"	7'11"	7'2"	7'7"	7'11"
C	4'6"	5'3"	5'1"	5'7"	6'2"
D	6'8"	6'9"	6'9"	7'0"	7'1"
E	7'0"	7'3"	7'1"	6'8"	7'3"
F	6'11"	6'11"	6'11"	7'2"	7'1"
G	9'2"	9'4"	9'0"	9'5"	9'11"

Weight: Approximately 88 lbs.

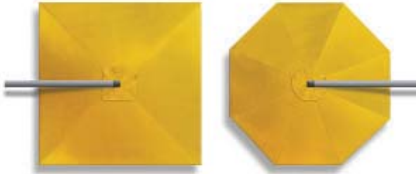
Mast Shape & Diameter: 2 3/4" x 4 3/8" oval

Wall Thickness of Mast: 1/8"; Arm Wall Thickness: 1/16"

THE ORION SHADEMAKER SIDEPOST DESIGN

This attractive and sturdy sidepost features mast and boom styling, 360° rotation and a canopy structure that easily disconnects for storage. The Orion is an excellent choice for windier locations. The Orion sidepost combines the sizing of the Sirius with the styling of the Galaxy.

Two Shapes



Square

Octagon

Five Sizes

Orion 2.5	8'2"	Square
Orion 3.0	9'7"	Square
Orion 3.0	9'10"	Octagon
Orion 3.5	11'6"	Octagon
Orion 4.0	13'1"	Octagon

Applications: Commercial and Residential

Features & Functionality: Rotates 360° around the mast, canopy hangs folded from boom when not in use, designed for simple remove of entire canopy structure from headfitting, unique, fool-proof rotation locking mechanism, state-of-the-art external winding mechanism makes it easy to raise and lower, vented canopy provides greater stability as winds increase, canopy fabric is fade, rot and mold resistant; water, oil and dirt repellent, light weight, three piece design for seasonal removal and storage.

Materials & Components: Yacht grade, UV resistant 20 micron anodized aluminum mast, arms, and struts; extremely thick sidewalls; marine grade stainless steel hardware; highest grade polyester winder cordage; glass filled black resin moldings and components; gold passivated and powder coated steel spigot and base plate.

Wind Resistance: Can handle moderately strong winds; lower canopy as winds get stronger or become gusty; and when unattended for an extended period.

Installation Options

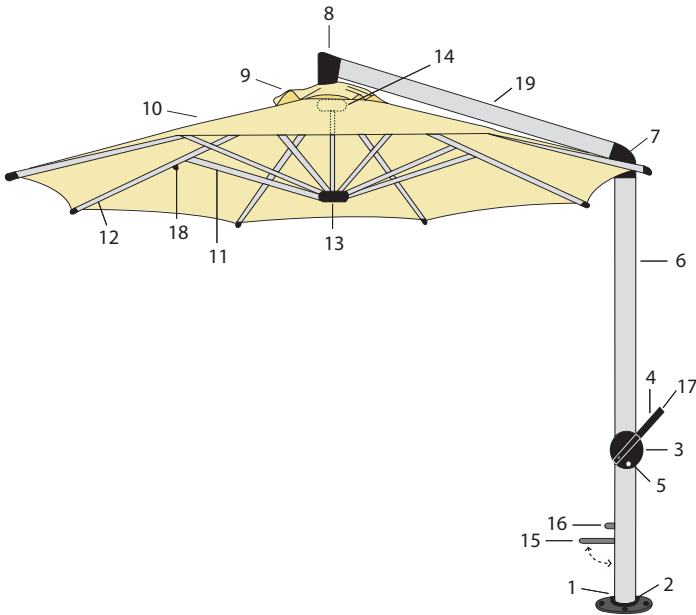
- Bolt to base plate (plate bolted to concrete patio or wooden deck)
- Install in-ground or build into concrete with in-ground fitting

ABOUT THE ORION

This high quality shade solution combines functionality and design in an elegant way and will provide you with years of enjoyment and satisfaction.

- 1. MARINE GRADE ANODIZED ALUMINUM:** Proprietary extrusions of high tensile alloy ensure long life in exposed conditions.
- 2. GLASS FILLED COMPONENTS:** Proprietary moldings are of the latest development for strength and resistance to UV degradation.
- 3. 100% SOLUTION DYED CANVAS:** Top quality canvas leads the world in color-fastness and quality retention properties. Canopies are fade, rot and mold resistant.
- 4. MARINE GRADE STAINLESS STEEL:** The Orion is equipped with the latest in marine grade stainless steel hardware.

DIAGRAM & LEGEND



- | | | |
|-----------------------|-----------------|-----------------------|
| 1. Internal Stem | 8. Head Fitting | 15. Turning Handle |
| 2. Acetal Ring | 9. Top Hat | 16. Locator Pin |
| 3. Crank | 10. Canopy | 17. Crank Handle Knob |
| 4. Crank Handle | 11. Strut | 18. Spacer Button |
| 5. Safety Lock Button | 12. Large Arm | 19. Boom |
| 6. Mast | 13. Lower Hub | |
| 7. Elbow | 14. Upper Hub | |

COMPONENTS, FITTING & HARDWARE

- 1. INTERNAL STEM:** The Orion mast slides directly over the internal stem as a sleeve. The plate of the internal stem is 9" in diameter and 3/8" thick. The internal stem is 19" in height and has 12 holes on the top which allow the Orion to be rotated 360° around the mast.
- 2. BASE PLATE:** The 9" diameter, 1/2" base plate is bolted to an existing concrete slab or to a wooden deck. The internal stem then bolts to the top of the base plate.
- 3. STEM BOLTS:** Four (4) countersunk stem bolts are used to bolt the internal stem to the base plate or to the top of the In-ground fitting. Stem bolts are 3/4" in length.
- 4. MAST OVER INTERNAL STEM:** This photo shows how the mast looks when it is installed onto the internal stem. The internal stem is bolted either to a base plate or the plate of the In-ground fitting.
- 5. LOCATOR PIN:** When the locator pin is inserted through the mast and internal stem, it locks the mast into place. The turning handle is located below the locator pin. When the locator pin is pulled out, the turning handle can be lifted to rotate the stem to one of the 12 holes, allowing the Orion to be rotated 360° around the stem.
- 6. CRANK:** The crank facilitates the opening and closing of the Orion canopy structure.
- 7. SPACER BUTTONS:** Eight (8) spacer buttons are inserted into predrilled holes on the eight arms closest to the mast. Spacer buttons must be left inserted at all times as they ensure the Orion canopy structure opens easily by not allowing the arms to get locked down. See page 13 for spacer details.



INSTALLATION OPTIONS & GUIDELINES

To ensure proper longevity, correct installation is essential. There are three standard installation options which provide the best stability for the Orion. Depending on your situation, you will have requested one or more of the following Orion mounting kits at the time of your order.

FREE-STANDING BASE OPTION: If it is no feasible to mount your Orion to a concrete patio, wooden deck or in ground, you may have purchased, or need to purchase, the optional free-standing base. The free-standing base may only be used when filled with 250 pounds of concrete. This base is an acceptable alternative but will not offer the same level of stability as the three standard installation options. We do not recommend the use of the free-standing base for Orion 3.4 or 3.8 (11' and 12'5" Octagon). If using a free-standing base, wind guidelines change from moderate to strong winds to light winds only.

INSTALLATION INSTRUCTIONS

To ensure proper installation, please carefully read these instructions before installing your base plate or in-ground fitting.

PROPER ALIGNMENT OF THE ORION

If the exact position of the Orion canopy (when in the open position) is important to you, it is imperative that the installation fitting (base plate or in-ground fitting) is properly aligned. Please read the instructions below to ensure that your canopy will hang in the desired position.

BASE PLATE: The base plate has four (4) countersunk holes and four (4) tapped holes. The tapped hole bolt pattern on the base plate must be lined up square to whatever you are aligning your Orion with (i.e., the side of your house, the edge of your patio, etc.). See **Diagram A** below. The countersunk holes on the internal stem will then match the tapped holes on the base plate and the Orion canopy will hang in the desired position (primary mast & canopy position). If the base plate is not aligned properly, you will not achieve your intended primary mast & canopy position.

IN-GROUND FITTING: The in-ground fitting has four (4) tapped holes. The tapped hole bolt pattern on the in-ground fitting must be lined up square to whatever you are aligning your Orion with (ie, the side of your house, the edge of your patio, etc.). See **Diagram B** below. The countersunk holes on the Internal stem will then match the tapped holes on the in-ground fitting and the Orion canopy will hang in the desired position. If the in-ground fitting is not aligned properly, you will not achieve your intended primary mast & canopy position.

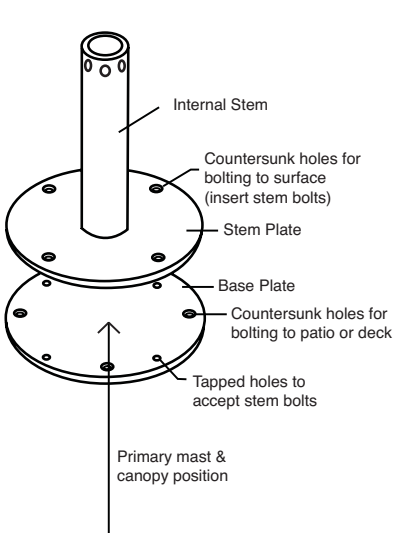


Diagram A – Base Plate Alignment

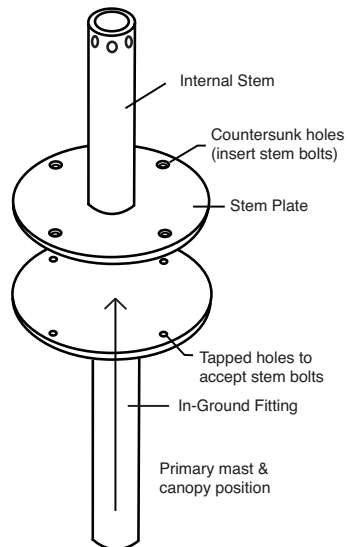


Diagram B – In-Ground Fitting Alignment

IMPORTANT:
Insert the Spacer Buttons Immediately!

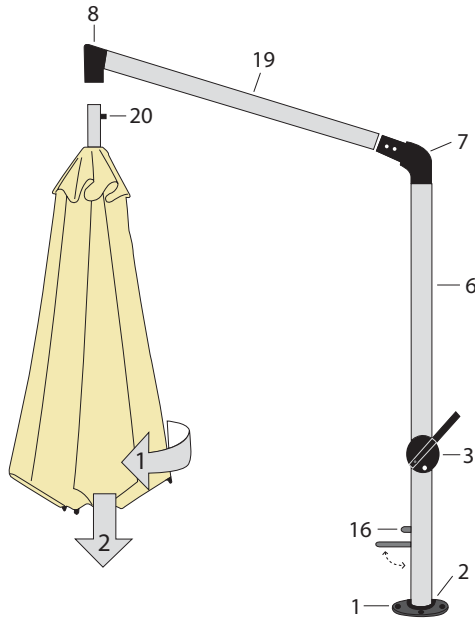
It is imperative that the eight (8) spacer buttons (white plastic cups/screws) are inserted after the canopy is opened for the first time. Spacer buttons stop the arms from closing completely and make it much easier to open the canopy single-handedly.

When opening the canopy for the first time, the arms will have to be helped open manually to facilitate cranking. Never force the arms. Once the canopy is open, insert the spacer buttons. Holes have been predrilled and you will need to insert the spacer buttons (white plastic cups/screws), one per arm.

ASSEMBLY INSTRUCTIONS

By now you have installed your base plate(s) or in-ground fitting and bolted your internal stem to the base plate or in-ground fitting.

1. Unpack the Orion and lay it out on the ground as in the drawing, assuring the crank (3) is facing upwards.
2. Slide mast (6) over newly mounted internal stem (1). Make sure the mast sits on the acetal ring (2). Insert locator pin (16) through mast and internal stem (1). If the mast is properly seated and the locator pin is properly inserted, the Orion will not rotate or lift.
3. Using a step ladder, fasten the boom (19) to the elbow (7) by inserting and tightening the four screws provided (two on each side). Or attach the boom to the mast while laid out on the ground, and then lift the entire mast and boom and slide over mast as described above.
4. Connect the sister clips on canopy structure and on wire/rope.
5. Slide the canopy structure into the head fitting (8) by aligning the set screw (20) on the top of the canopy structure with the slot in the head fitting (8).



OPERATING INSTRUCTIONS

By now, you have installed your base plate(s) or in-ground fitting, bolted your Internal stem to the base plate or in-ground fitting, and have followed the early instructions to slide the mast over the newly mounted internal stem. The mast should be seated on the acetal ring and the locator pin should be inserted through the mast and internal stem.

If the mast is properly seated and the locator pin properly inserted, the Orion will not rotate or lift. You are now ready to operate your Orion.



Closed position

Horizontal position

TO OPEN THE ORION CANOPY

1. Undo the strap and turn the crank handle in clockwise direction. CAUTION: Arms may need to be freed manually to facilitate cranking. NEVER force the arms! Continue cranking until canopy is taut.
2. Locking lever located on crank locks automatically when you stop cranking.
3. Child safety lock button can be inserted and turned 90° clockwise. PLEASE NOTE: It is not necessary to use safety lock button, however, it is recommended, particularly when children are present.

TO LOWER THE ORION CANOPY

1. If the child safety lock is in use, turn it 90° counter-clockwise until the button pops out.
2. Open winder handle and turn clockwise. With right hand, lift locking lever located on the crank (not shown on diagram). Now turn crank handle counter-clockwise for several revolutions until all pressure is released.
NOTE: Raise locking lever during lowering.
3. Continue winding until canopy is lowered, strap canopy.

TO SET THE CHILD SAFETY LOCK BUTTON

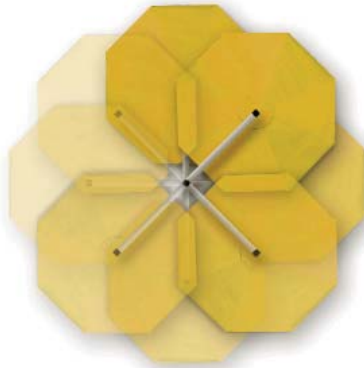
In any of the positions, the child safety lock button can be set by pushing the button in and turning it 90 degrees clockwise.

PLEASE NOTE: It is not necessary to use the child safety lock button, however, it is recommended particularly when children are present.

TO ROTATE THE ORION LATERALLY THROUGH 360° / 12 POSITIONS

There are 12 holes at the top of the internal stem.

1. Pull out the locator pin above the turning handle.
2. Raise the turning handle and rotate mast to a new position.
3. Push locator pin back in and turn it to lock it into any one of the 12 positions.



OPERATING INSTRUCTIONS

To open the Orion canopy:

1. Undo strap and turn the crank handle in clockwise direction.
CAUTION: Arms may need to be freed manually to facilitate cranking. Never force the arms! Continue cranking until canopy is taut.
2. Locking lever located on crank (not shown) locks automatically when you stop cranking.
3. Child-safety lock button can be inserted and turned 90 degrees clockwise.
PLEASE NOTE: It is not necessary to use safety-lock button, however, it is recommended, particularly when children are present.

TO PROPERLY FOLD THE ORION CANOPY

The 100% solution dyed acrylic canopy will last longer if you fold it as it was packed and shipped. This technique is similar to the way a parachute is folded and is especially important when folding the Orion canopy for seasonal storage or when the Orion is to be left in the closed position for an extended period of time.

Using this technique at all times will significantly extend the life of the canopy.

1. When the canopy has been fully lowered, stand in front of the canopy structure and begin the folding process by pulling out two panels opposite the mast. Pull the two panels together and roll tight into the canopy.
2. Once rolled tight, pull adjacent panels out one at a time and fold to the center, alternating sides until all the panels have been pulled out from the arms and folded into the center.
3. Strap the canopy to the mast with the strap.

MAINTAINING THE ORION FRAME & FITTINGS

1. Hose mast and frame with water periodically, more often if installation is in a salty or industrial environment.
2. Inspect the installation fitting on a regular basis and tighten if necessary.
3. Lubricate the track and slider car mechanism as needed to enhance the ease of operation.

MAINTAINING THE ORION CANOPY FABRIC

1. Clean up spills and stains right away. Spills can be removed by using a clean, absorbent cloth.
2. For general maintenance, use a soft brush to remove dust and dry soil or wash down with clean, warm water (i.e. garden hose) every so often so dirt does not become engrained. Allow the fabric to dry naturally before closing the canopy.
3. If a thorough cleaning is necessary, sponge over the fabric using a mild soap solution (2% solution). Rinse well with plenty of water to remove all soap residue.
4. Never use detergents, cleaning fluids, or solvents. Grease and oil stains may be removed by using turpentine or similar with an absorbent cloth.
5. We recommend giving the canopy a good clean on a more frequent basis if installed in a location where the canopy is likely to become soiled.

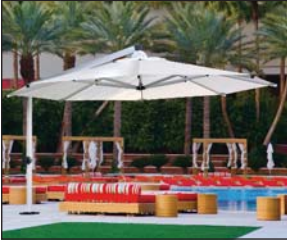
REMOVAL & REPLACEMENT OF THE ORION CANOPY

Follow these instructions should you choose to replace your canopy with a new canopy.

1. Lower the canopy to the closed position.
2. Remove canopy structure from the boom. Disconnect sister clips.
3. Unsnap the canopy vent cap.
4. Drill out the canopy strap rivets or take out the canopy screws from webbing at top of arms. (Depending on your model, your Orion will have rivets or screws, not both.)
5. Remove the button/screw at the end of each arm.
6. Remove canopy from structure.
6. To replace the canopy, reverse the above process.

OTHER SHADEMAKER STYLES AVAILABLE

Side Posts



Galaxy



Sirius

Center Posts



Astral



Corona

Top Mount



Nova

shademaker™

13401 Brooks Drive
Baldwin Park, CA 91706
p 626.338.8810
f 626.338.8816
info@shademakerusa.com

shademakerusa.com

© 2010 Shademaker. All rights reserved.

SMOM-ORION-810