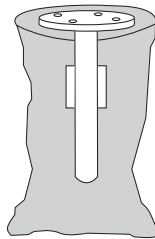
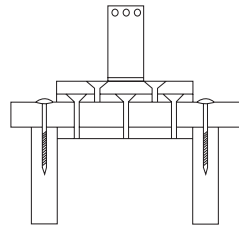
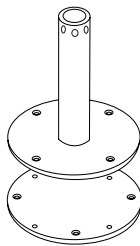


concrete wooden in-ground mount kits



shademaker[™]
architectural shade

assembly and operation guide

CONCRETE MOUNT KIT

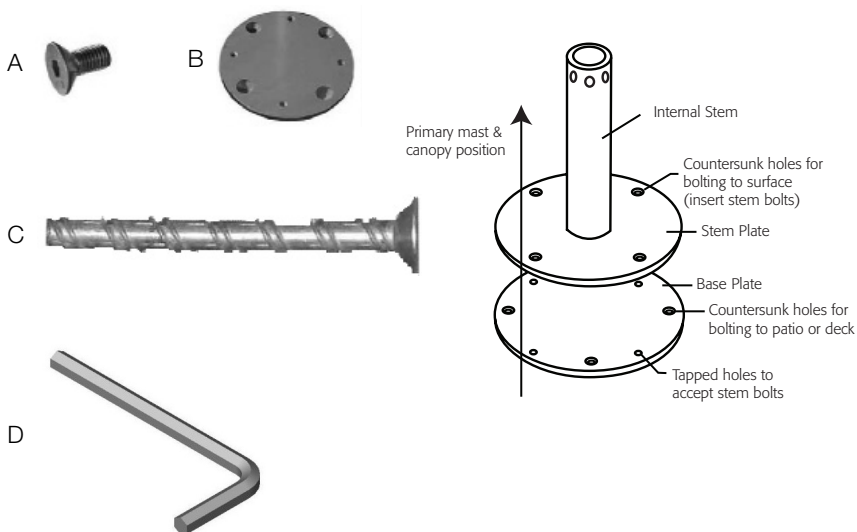
Concrete Mount Kit includes:

A - Stem Bolts (4)

B - Base Plate

C - Concrete Bolts - Four (4) 8mm diameter, approx. 4" length - NOT INCLUDED

D - Allen Wrench



STEP 1 Bolt Base Plate

Bolt the base plate to an existing concrete slab (or through no thicker than 1" pavers or tiles adhered to a concrete slab) using special concrete bolts.

STEP 2 Bolt Internal Stem

Bolt the internal stem to the base plate using the four (4) stem bolts and allen wrench. Insert the stem bolts downward through the flanged holes in the internal stem and screw them into the threaded holes in the top base plate. Make sure they are very tight.

STEP 3 Attach Mast

Slide mast over the newly mounted internal stem. Make sure the mast seats on the acetal ring.

STEP 4 Locator Pin

Insert locator pin through mast and internal stem.

You are now ready to operate your umbrella!

REMOVAL:

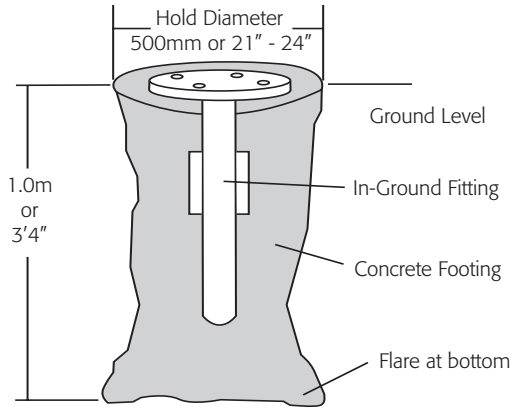
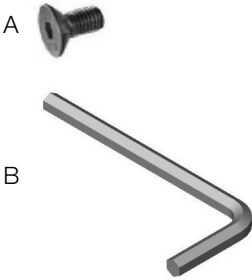
To remove your umbrella for seasonal storage or to move it to another base plate or in-ground fitting, simply undo the four (4) stem bolts and remove the internal stem from the base plate.

IN-GROUND FITTING KIT

In-Ground Fitting Kit includes:

A - Stem Bolts (4)

B - Allen Wrench



STEP 1 Preparation

The in-ground fitting needs concreting in the ground per the diagram (bottom). The hole size recommended assumes the terrain is thick clay. Should the terrain be fine soil or sand, the hole size should be increased. The recommended installation requires .50 cubic yards of concrete for silty or fine soil and .25 cubic yards of concrete for heavy clay.

The in-ground fitting may also be built into newly poured concrete. For a perfect flush mount, set the plate of the fitting 3/8" below the final surface grade. When you add the 3/8" thick internal stem to the plate, the internal stem will be flush with the concrete.

STEP 2 Bolt Base Plate

Once installed and the concrete has cured, bolt the internal stem to the top base plate using the four (4) stem bolts and allen wrench. Insert the stem bolts downward through the flanged holes in the internal stem base and screw them into the threaded holes in the plate of the in-ground fitting. Make sure they are very tight.

STEP 3 Attach Mast

Slide mast over the newly mounted internal stem. Make sure the mast seats on the acetal ring.

STEP 4 Insert Locator Pin

Insert locator pins through the mast and internal stem.

You are now ready to operate your umbrella!

IMPORTANT: When concreting the in-ground fitting in place, make sure not to get slurry in the screw threads. Either apply tape over the holes on both sides of the fitting or place the stem bolts in the threads and withdraw them with the concrete is set. Make sure that the in-ground fitting is perfectly level. Allow the concrete to cure for the appropriate cure time for your area before installing the umbrella onto the fitting.

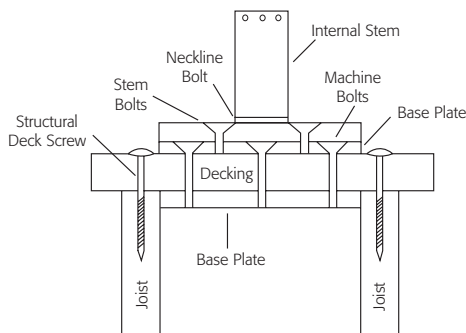
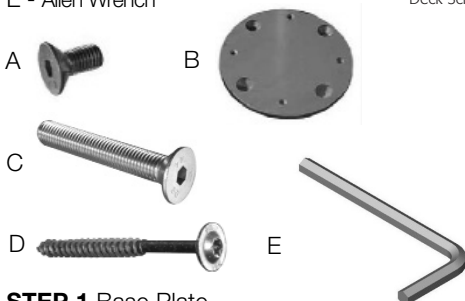
REMOVAL:

To remove your umbrella for seasonal storage or to move it to another base plate or in-ground fitting, simply undo the four (4) stem bolts and remove the internal stem from the in-ground fitting.

WOODEN DECK MOUNT KIT

Wooden Deck Mount Kit includes:

- A - Base Plate (2)
- B - Stem Bolts (4)
- C - Machine Bolts (4) - NOT INCLUDED
- D - Deck Screws (8) - NOT INCLUDED
- E - Allen Wrench



STEP 1 Base Plate

Locate one base plate in the desired location on the deck. The base plate should overlap two deck planks evenly. Orient the base plate so that the proper alignment is ensured.

STEP 2 Drilling Deck Planks

Mark the four countersunk holes onto the deck for drilling. Drill four 10mm holes through the deck planks for the machine bolts. Remove enough deck screws or nails from these planks to be able to install one base plate underneath the planks.

STEP 3 Attach Base Plates

Attach the two base plates together, one on either side of the deck planks, using the machine bolts. Insert the machine bolts downward through the countersunk holes in the top base plate, through the planks, and screw them into the threaded holes in the bottom base plate. Make sure they are very tight.

STEP 4 Refasten Deck Planks

Refasten the deck planks to the joists by screwing the 8 structural deck screws in the original holes closest to the base plate. Two structural deck screws should be used on either side of the base plate in each plank.

STEP 5 Bolt Internal Stem

Bolt the internal stem to the top base plate using the four stem bolts and allen wrench. Insert the stem bolts downward through the countersunk holes in the internal stem base and screw them into the threaded holes in the top base plate. Make sure they are very tight.

STEP 5 Attach Mast

Slide mast over the newly mounted internal stem. Make sure the mast seats on the acetal ring.

STEP 6 Locator Pin

Insert locator pin through the mast and internal stem.

You are now ready to operate your umbrella!

REMOVAL:

To remove your umbrella for seasonal storage or to move it to another base plate or in-ground fitting, simply undo the four stem bolts and remove the internal stem from the base plate, leaving an unobtrusive base plate on your deck.

stainless steel internal mast stem

More shade options for pools. Our new stainless steel internal mast stem is now available for installation of 3 of our most popular styles.

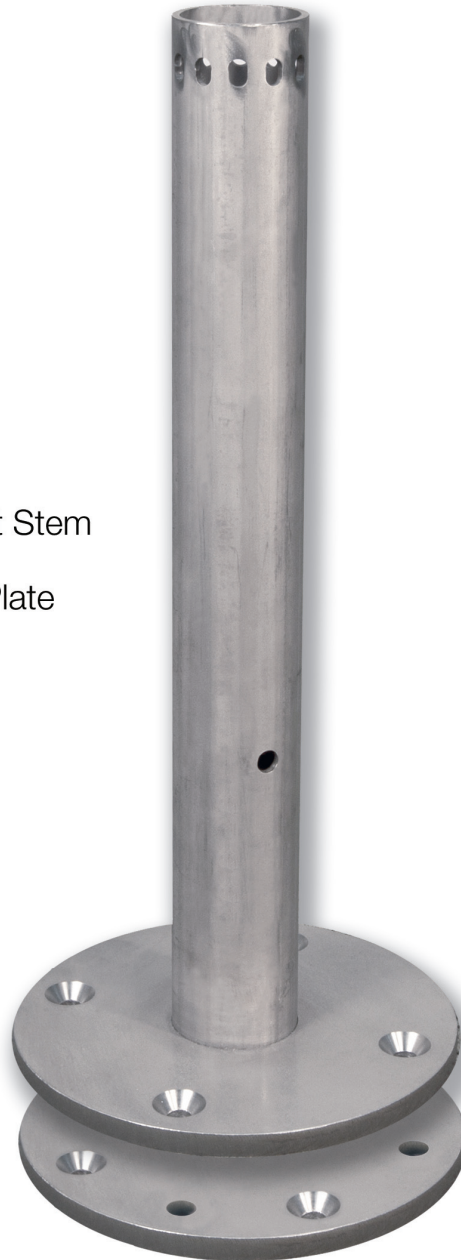
Item #: SSIMS

Size: 19" Height x 8 3/8" Diameter

MSRP: \$595

Application: For use with orion, sirius
and astral styles.

Includes: Stainless Steel Internal Mast Stem
and Stainless Steel Base Plate



shademaker[™]

Shademaker
13401 Brooks Drive
Baldwin Park, CA 91706

p 626 338 8810 f 626 338 8816
shademakerusa.com
info@shademakerusa.com

Rev. 051012
© 2012 Shademaker, Inc.
All Rights Reserved.

shademaker[™]