

astral

series



shademakerTM
architectural shade

owner's manual

WARRANTY:

Upon receipt of your Astral, please check to ensure you have received all of the parts. Shademaker manufactures all its shade styles from the finest aluminum alloys to ensure the strength, durability and integrity of each and every style. We pride ourselves as a totally vertical operation. This means that we manufacture and produce over 90% of the components used in our products from the raw state. We can monitor every stage of the manufacturing process and maintain a consistent level of quality.

Our only business and focus is shade and shade type products. Our goal is that each and every Shademaker style will exceed your expectations at a competitive price that will make you smile.

Our Limited Warranty is outlined below by individual styles. Please note, wind damage is not covered under any manufacturer's warranty

Our umbrellas are serviceable, meaning that parts can be ordered under warranty at no charge, if found that the damage is a manufacture defect and/or purchased out of warranty to make them whole again.

5 Year Limited Warranty includes the Sunbrella® Awning & Marine Grade Fabric Collection. Visit www.sunbrella.com/warranty for more details. Labor charges are not covered under this limited warranty.

10 Year Limited Warranty includes the Galaxy, Orion and Astral styles. This includes the mast, arms, ribs, center pole, top and bottom hubs and stainless steel hardware only. If there is damage under the warranty, Shademaker will replace and/or repair any item listed in this category at its discretion. The 5 Year Limited Warranty applies to Sunbrella Firesist®, Sunbrella Firesist® PLUS and Sunbrella® Furniture Grade fabrics. Visit www.sunbrella.com/warranty for more details.

5 Year Limited Warranty also applies to O'bravia™ Awning Grade fabrics. Visit www.obravia.com for more details. Labor charges are not covered under this limited warranty.

4 Year Limited Warranty includes the O'bravia™ Furniture Grade fabrics. Visit www.obravia.com for more details. Labor charges are not covered under this limited warranty.

1 Year Limited Warranty covers the powder coat finish on our steel bases. If the powder coat finish flakes, bubbles, peels or loses color; Shademaker will re-finish or replace the defective bases at its discretion. Normal wear and tear is not covered under this limited warranty.

Exclusions: Wind damage, acts of nature (such as, but not limited to, freezing or any type of extreme weather.) Failures caused by abusive use and normal wear and tear are not covered under this warranty.

Those filing warranty claims will be responsible for all shipping, handling and freight charges on all claims to Shademaker in Baldwin Park, CA. All warranty claims must be submitted with the original proof of purchase, date of purchase, name of dealer and the description of the damage. An authorized Shademaker RA# must be listed on all products being returned. The Shademaker warranty is not transferable. Shademaker reserves the right to repair, replace and/or redesign any product that is returned under a warranty claim.

IMPORTANT:

Please read this entire manual before installing or operating your Astral umbrella.

ASTRAL WIND RESISTANCE GUIDELINES:

Moderate to Strong Winds

When installed properly, the Astral is engineered to handle strong wind conditions in the open canopy position. Please adhere to these common sense wind guidelines:

1. As winds get stronger, or as gusts increase, the canopy should be lowered to the folded and strapped position.
2. If unattended for an extended period of time, the Astral should be left in the folded and strapped position.
3. In anticipation of, and during extremely severe weather conditions, it is advisable to remove and store the entire Astral structure to protect it from storm-related debris.



Sizes and Shapes

ASTRAL	3.2	3.6	3.9	4.2	4.0	5.0	5.6
Shape	Square	Square	Square	Square	Octagon	Octagon	Octagon
A	10'7"	11'11"	12'10"	13'10"	13'1"	16'10"	18'2"
B	9'3"	9'3"	9'11"	10'3"	9'3"	9'7"	9'11"
C	7'7"	7'7"	8'	8'	7'7"	7'11"	8'
D	7'6"	7'6"	7'10"	7'11"	7'6"	7'10"	7'10"

Weight: Approximately 100-150 lbs.

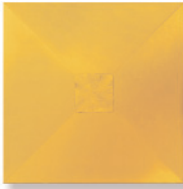
Mast Shape & Diameter: 2 15/16" round

Wall Thickness of Mast: 1/4"; Arm Wall Thickness: 1/8"

THE ASTRAL SHADEMAKER CENTERPOST DESIGN

The Astral is a graceful and captivating market style centerpost umbrella with a yacht-grade mast. The strongest of the Shademaker designs, the Astral is perfect for extra windy location.

Two Shapes



Square



Octagon

Seven Sizes

Astral 3.2	10'6"	Square
Astral 3.6	11'9"	Square
Astral 3.9	12'9"	Square
Astral 4.2	13'9"	Square
Astral 4.0	13'2"	Octagon
Astral 5.0	16'5"	Octagon
Astral 5.6	18'5"	Octagon

Applications: Commercial and Residential

Features & Functionality: Fool-proof and maintenance-free cord and pulley/hoist system; easy to raise and lower; vented canopy provides great stability as winds increase; attractive fantail-shaped canopy on octagon sizes; canopy is fade, rot and mold resistant; water, oil and dirt repellent.

Materials & Components: Yacht grade, UV resistant 20 micron anodized aluminum mast, arms, and struts; extremely thick sidewalls; marine grade stainless steel hardware; highest grade polyester; glass filled black resin moldings and components.

Wind Resistance: Can handle strong winds; lower canopy as winds get very strong or become very gusty; and in anticipation of very severe weather conditions.

Installation Options

- Bolt to base plate (plate bolted to concrete patio or wooden deck)
- Recommended minimum base weight of 350 lbs. (depending on size of umbrella)
- Install in-ground or build into concrete with in-ground fitting

ABOUT THE ASTRAL

This high quality shade solution combines functionality and design in an elegant way and will provide you with years of enjoyment and satisfaction.

- 1. MARINE GRADE ANODIZED ALUMINUM:** Proprietary extrusions of high tensile alloy ensure long life in exposed conditions.
- 2. GLASS FILLED COMPONENTS:** Proprietary moldings are of the latest development for strength and resistance to UV degradation.
- 3. 100% SOLUTION DYED CANVAS:** Top quality canvas leads the world in color-fastness and quality retention properties. Canopies are fade, rot and mold resistant.
- 4. MARINE GRADE STAINLESS STEEL:** The Astral is equipped with the latest in marine grade stainless steel hardware.

ASSEMBLY

The Astral will need the Spacer Buttons inserted.

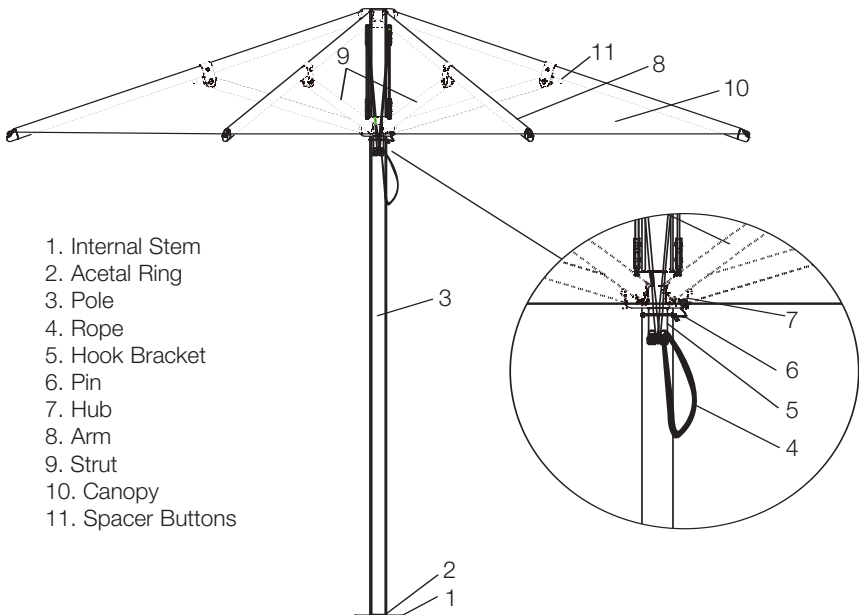
IMPORTANT

Insert the Spacer Buttons immediately!

It is imperative that the eight (8) spacer buttons (white plastic cups/screws) are inserted after the canopy is opened for the first time. Spacer buttons stop the arms from closing completely and make it much easier to open the canopy single-handedly.

Once the canopy is open, insert the spacer buttons. Holes have been predrilled and you will need to insert the spacer buttons (white plastic cups/screws), one per arm.

DIAGRAM & LEGEND



INSTALLATION OVERVIEW

The Astral is an extra large and extra strong centerpost structure. To insure longevity it needs to be assembled and installed correctly. Because it is designed to handle strong winds, we recommend either anchoring the Astral to an existing concrete slab or installing a newly poured concrete pier using our specially designed in-ground fitting. The Astral should not be used on a wooden deck unless attached to an in-ground fitting below the deck because it is very heavy and not intended to be removed except in preparation for extremely severe weather conditions or for seasonal storage.

INSTALLATION FITTINGS

Internal Stem: The internal stem is included. The mast fits directly onto the internal as a sleeve and has four (4) holes that form a square.

Base Plate: When installing onto an existing concrete patio/deck we recommend first installing the specially design Astral base plate. This base will provide added strength and stability for the very large Astral and also allows for easy removal of the entire structure for seasonal storage. The base plate is galvanized steel (9" diameter, 1/2" base plate) which will not rust and is powder coated charcoal gray to match the internal stem. The base plate is first bolted to the concrete surface using the special bolts provided. The plate has four (4) outside holes that are used to bolt it to the concrete. It also has four (4) interior holes that are used to attach the internal stem to the plate. After the base plate is bolted to the concrete, the internal stem is then bolted to the plate using the stem bolts (provided).

In-Ground Fitting: A special in-ground fitting is used to install the Astral into the ground or to embed into a newly poured concrete slab. Made of galvanized steel, this fitting is extremely strong and will not rust. The in-ground fitting has four (4) holes that form a square (same bolt pattern as the internal stem).

INSTALLATION OPTIONS AND GUIDELINES

To ensure proper longevity, correct installation is essential. There are four standard installation options which provide the best stability for the Astral. Depending on your situation, you will have requested one or more of the following Astral mounting kits at the time of your order; either the Concrete Mount Kit, Wooden Deck Mount Kit, In-Ground Mount Kit or a Free Standing Base.

- 1. CONCRETE MOUNT KIT** - This kit includes a base plate, four (4) stem bolts, and one (1) allen wrench.
- 2. WOODEN DECK MOUNT KIT** - This kit includes two (2) base plates, four (4) stem bolts, and one (1) allen wrench.
- 3. IN-GROUND MOUNT KIT** - This kit includes in-ground fitting.
- 4. FREE STANDING BASE** - You may opt to use a free standing base for your Astral umbrella. We recommend a minimum of a 350 lbs. base weight for this umbrella.
NOTE: If using a free-standing base, wind guidelines change from moderate to strong winds to light winds only.

CONCRETE MOUNT KIT

IMPORTANT: If you want the canopy (when in the open position) to be in a precise position (aligned with an existing feature or a second Astral), it is imperative that both the base plate and the internal stem be exactly aligned (See diagram A on page 7). We recommend that prior to bolting the base plate to the concrete, a trial run is conducted to insure proper alignment of the internal stem.

The mast of the Astral is connected through the internal pin to the internal stem, therefore positioning of the internal stem is critical for accurate alignment. The pin can be taken out which allows the mast to be rotated through 6 different positions.

1. With two (2) people present, first bolt the internal stem to the (unbolted) base plate using the machine bolts provided.
2. Standing the Astral up with the internal stem attached to the base plate, rotate the Astral to determine the precise alignment and location. Once the alignment is determined, mark the location of base plate's four (4) outer holes to prepare for drilling and bolting the base plate to the concrete.
3. Remove the Astral and the internal stem from the base plate. Now bolt the base plate to the slab using Excalibur bolts (not provided). For your convenience, a metric drill bit has been included in your shipment.
4. Once the base plate is bolted to the concrete, bolt the internal stem to the base plate with the stainless steel machine bolts provided.
5. Slide the Astral mast over newly mounted internal stem. Make sure the mast seats on the acetal ring.
6. Push internal stem pin through both holes on the internal stem and fasten nut tightly so it cannot be removed.
7. To remove the Astral for seasonal storage or to move it to another base plate or in-ground fitting, under the four machine bolts and remove internal stem from plate, leaving an unobtrusive plate on patio.



Base Plate

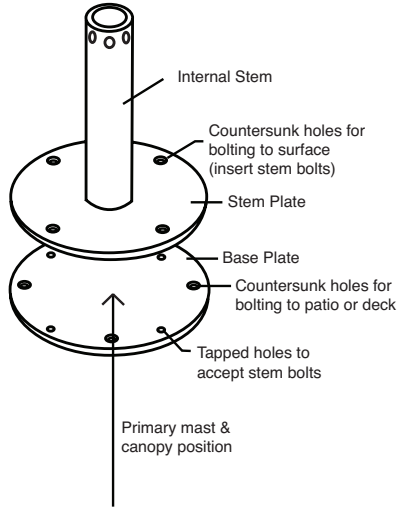


Internal Stem



Mast slides over Internal Stem

Diagram A – Base Plate Alignment



IN-GROUND MOUNT KIT

The in-ground fitting has four (4) tapped holes. The tapped hole bolt pattern on the in-ground fitting must be lined up square to whatever you are aligning your Astral (ie, the side of a building, another Astral, the edge of a patio, etc.). See Diagram B on page 8. The countersunk holes on the internal stem will then match the tapped holes on the in-ground fitting.



In-Ground Fitting



Internal Stem
(bolts to top of In-Ground Fitting)

Diagram B – In-Ground Fitting Alignment

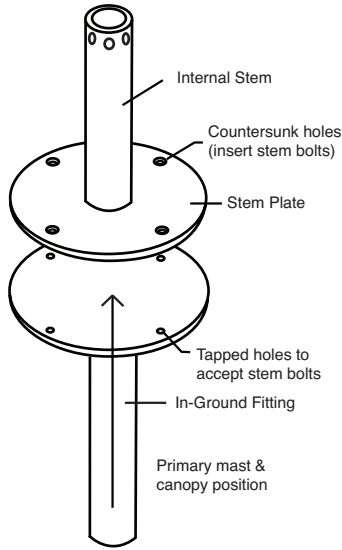
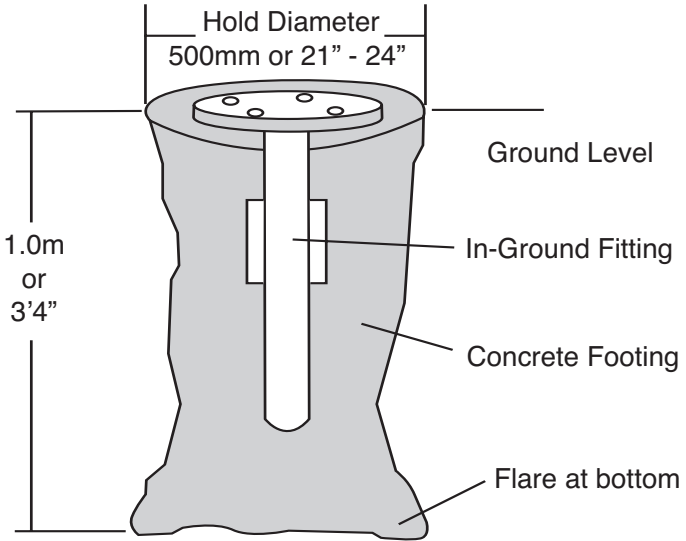


Diagram C – In-Ground Fitting Diagram



OPERATING INSTRUCTIONS

To open the Astral canopy:

1. To open the canopy, first undo the strap and position yourself under the canopy arms so you can easily reach the rope. The arms will have to be helped open manually to facilitate opening. **CAUTION: NEVER FORCE THE ARMS.** If you experience any resistance, make sure all arms are freed manually to facilitate opening.
2. Once the arms have been freed manually, pull rope slowly to open the Astral canopy.
3. Continue pulling rope until the canopy is taut and insert pin into pole. Once canopy is open, look up into the arms to confirm that all eight (8) spacer buttons are inserted.
4. Wind the excess rope around the hook bracket.

To close the Astral canopy:

1. Undo safety pin and remove pin. **CAUTION: Umbrella will close unless rope is held firmly.**
2. While holding rope, release carefully until arms are completely folded down.
3. Strap canopy to the mast. When fastening strap make sure that no fabric is caught in between the arms of the Astral as this can result in rubbing and damage to the canopy.



Open position

Closed position

MAINTAINING THE ASTRAL FRAME & FITTINGS

1. Hose frame with water periodically, more often if installation is in a salty or industrial environment.
2. Inspect the installation fitting on a regular basis and tighten if necessary.

MAINTAINING THE ASTRAL CANOPY FABRIC

1. Clean up spills and stains right away. Spills can be removed by using a clean, absorbent cloth.
2. For general maintenance, use a soft brush to remove dust and dry soil or wash down with clean, warm water (i.e. garden hose) every so often so dirt does not become engrained. Allow the fabric to dry naturally before closing the canopy.
3. If a thorough cleaning is necessary, sponge over the fabric using a mild soap solution (2% solution). Rinse well with plenty of water to remove all soap residue.
4. Never use detergents, cleaning fluids, or solvents. Grease and oil stains may be removed by using turpentine or similar with an absorbent cloth.
5. We recommend giving the canopy a good clean on a more frequent basis if installed in a location where the canopy is likely to become soiled.

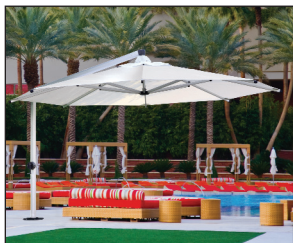
REMOVAL & REPLACEMENT OF THE ASTRAL CANOPY

Follow these instructions should you choose to replace your canopy with a new canopy.

1. Lower the canopy to the closed position.
2. Unsnap the canopy vent cap.
3. Drill out the canopy strap rivets or take out the canopy screws from webbing at top of arms. (Depending on your model, your Astral will have rivets or screws, not both.)
4. Remove the button/screw at the end of each arm.
5. Remove canopy from structure.
6. To replace the canopy, reverse the above process.

OTHER SHADEMAKER STYLES AVAILABLE

Side Posts



Galaxy

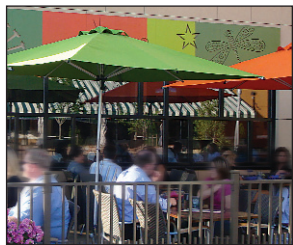


Orion



Sirius

Center Posts



Corona

Top Mount



Nova

shademaker[™]

13401 Brooks Drive
Baldwin Park, CA 91706
p 626.338.8810
f 626.338.8816
info@shademakerusa.com

shademakerusa.com

© 2011 Shademaker. All rights reserved.

SMOM-ASTRAL-611